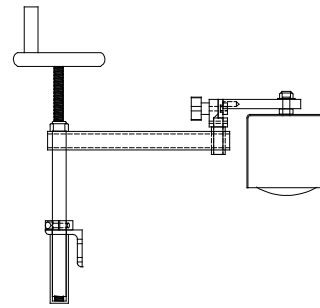
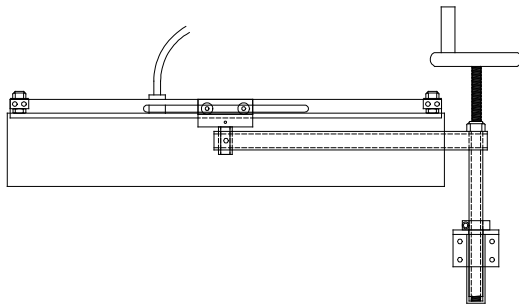
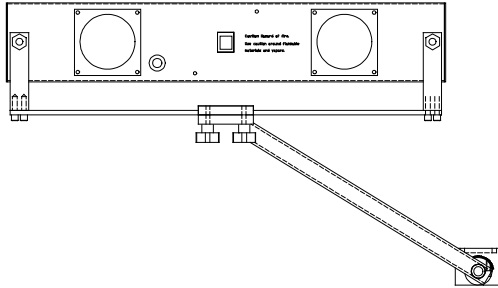




4355 N. Richards Street
Milwaukee, WI 53212
(414)332-8466
FAX(414)332-5231
www.fms-magnacraft.com



Dryer with Bracket Specifications

Dryer

Dimensions: 24" L x 4-1/2" W

Weight: 17 Pounds

Mounts to the side of most
Mail bases and tables

3" Adjustable height

Electrical

Power Requirements: 230 VAC, 60 Hz, 1 Ph, 13A

2 - 4" blowers

3000W

Application

Mounts to Inkjet Base